

# General Specifications

## MFQ7 Frequency Transducer

JUXTA

This plug-in type frequency transducer receives voltage signal from power line and outputs 4~20mA DC or 1~5V DC signal proportional to frequency.

### Feature

- Compact type, high reliability by use of ASIC (PMC)
- Input range can be set through Handy Terminal

### Application

- Frequency control for factory and building equipment, etc.
- Frequency control for independent power plant
- Frequency control for UPS (Uninterrupted power supply)

MFQ7-□□□□-□□

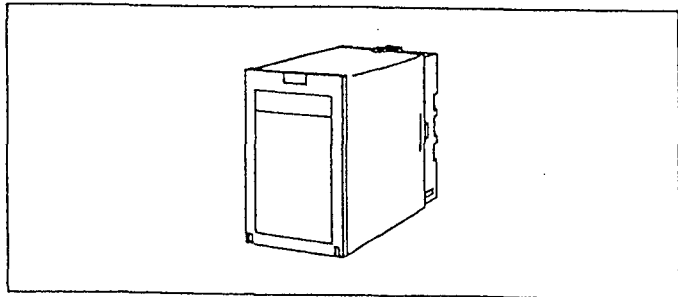
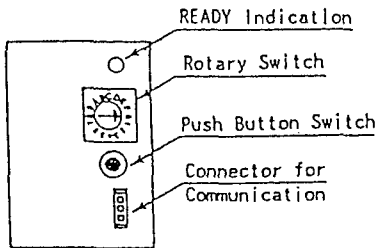
Model	MFQ7-□□□□-□□
Input Signal	1 : 45~55Hz 2 : 55~65Hz 3 : 45~65Hz
Rated Input Voltage	1 : 110V AC 2 : 220V AC
Output Signal	A : 4~20mA DC      6 : 1~5V DC Z : (Custom Order)      0 : (Custom Order) Current Signal      Voltage Signal (within 20mA)      (within ±10V)
Power Supply	3 : 24V DC±10% 4 : 85~132V AC/85~150V DC 5 : 170~264V AC

### ORDERING INFORMATION

- Model Code : (Example) MFQ7-11A-4

Input & Output	
Rated input voltage	110V AC, 220V AC
Input voltage permissible	1.2 times of rated voltage (continuous) 1.5 times (10 seconds)
Input loss	110V AC 0.2VA, 220V AC 0.4VA
Input signal	45~65Hz
Analog output	4~20mA DC or 1~5V DC
Load resistance permissible	0~750Ω (when 4~20mA DC output) Over 2KΩ (when 1~5V DC output)
Zero adjust range	±5% of span
Span adjust range	±5% of span
Standard Performance	
Accuracy rating	±1% of span.
Response speed	99% response within 1.5s
Insulation resistance	More than 100MΩ (500V DC) between input, output, power supply, ground
Withstand voltage	2000V AC/minute between input, output, power supply, ground
Impulse withstand voltage	5kV(1.2/50μs) between overall input~output~ground
Temperature	0~50°C
Humidity	5~90% RH (non condensation)
Power voltage	24V DC±10%, 85~150V DC, 85~132V AC, 170~264V AC, 47~63Hz
Effect of power voltage fluctuation	Less than ±0.3% of span for fluctuation of power voltage
Effect of Temperature change	Less than ±0.3% of span for change of 10°C
Current & power dissipation	24V DC 92mA, 110V DC 18mA 100V AC 4VA, 200V AC 5.4 VA
Mounting, Shape & Accessories	
Material	Case ABS plastic
Mounting method	Wall and DIN rail mountings (More than 5mm interval is required for access mounting)
Connecting method	M3.5 terminal screw connection
External dimension	85(H)x50(W)x123(D)mm (including socket)
Weight	Body : Abt. 250g, Socket : Abt. 60g
Accessories	Tag Number Label.....2 Spacer...1 (Use for DIN rail mounting)

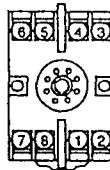
Adjustment by Front Switch  
Zero/Span adjustment can be done  
by rotary switch and push button



NOTE : When voltage level of input signal becomes below 5% of rated input voltage, output signal overscales to (-) side

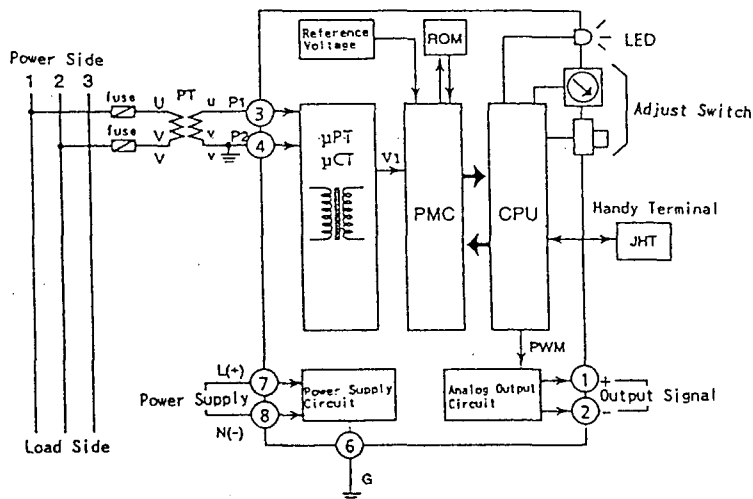
Function	when Push-Button Switch ON
1	Adjust zero point to (+) side
2	Adjust zero point to (-) side
3	Adjust span to (+) side
4	Adjust span to (-) side

**TERMINAL ARRANGEMENT**

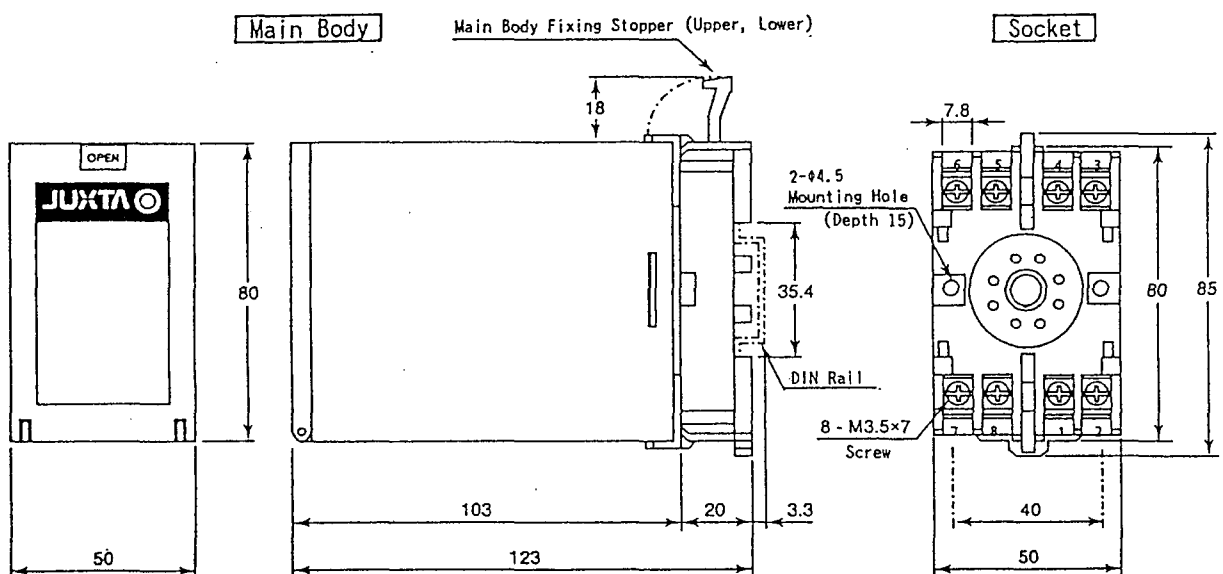


1	OUTPUT (+)
2	OUTPUT (-)
3	INPUT (P1)
4	INPUT (P2)
5	
6	GND (G)
7	SUPPLY (L+)
8	SUPPLY (N-)

**BLOCK DIAGRAM**



**EXTERNAL DIMENSION**



Subject to change without notice for grade up quality and performance